

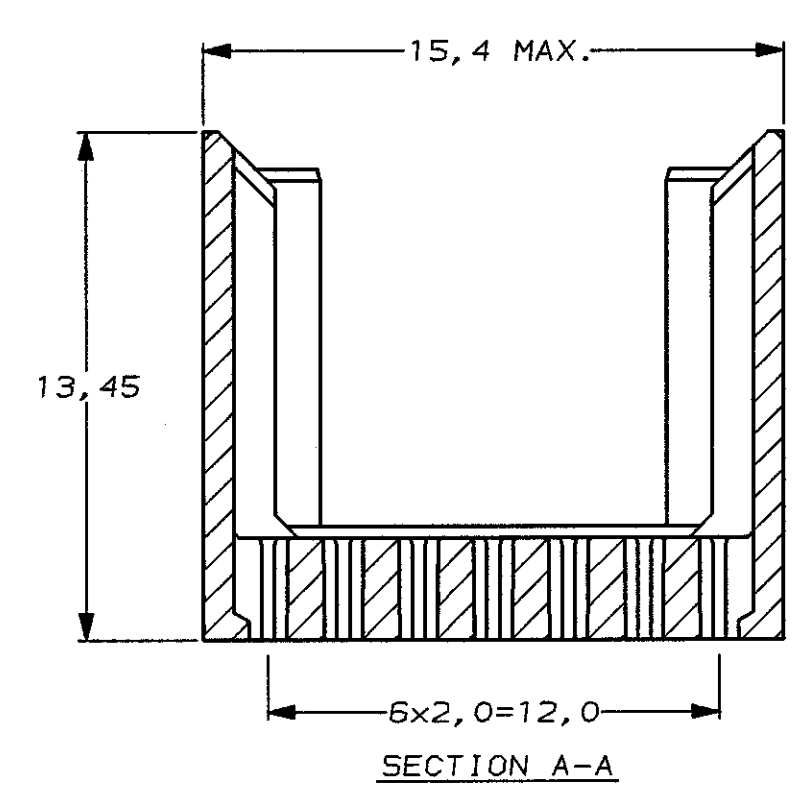
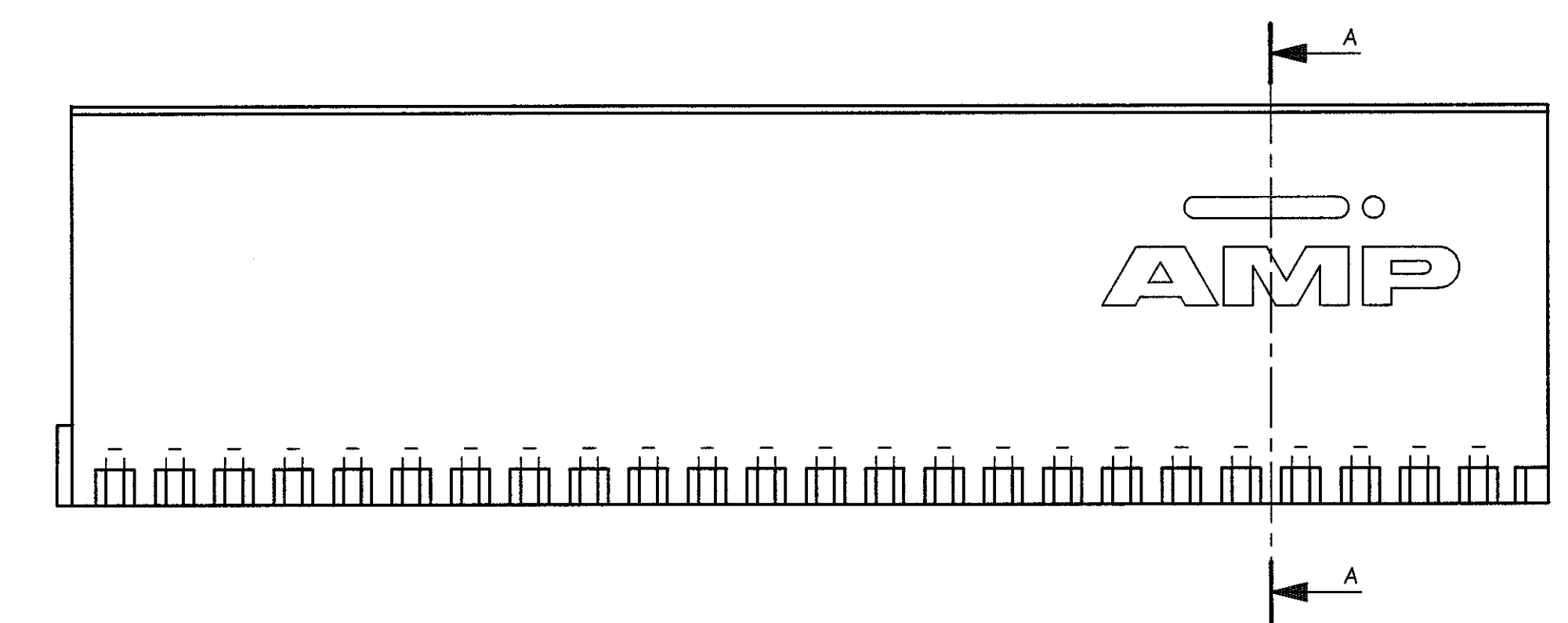
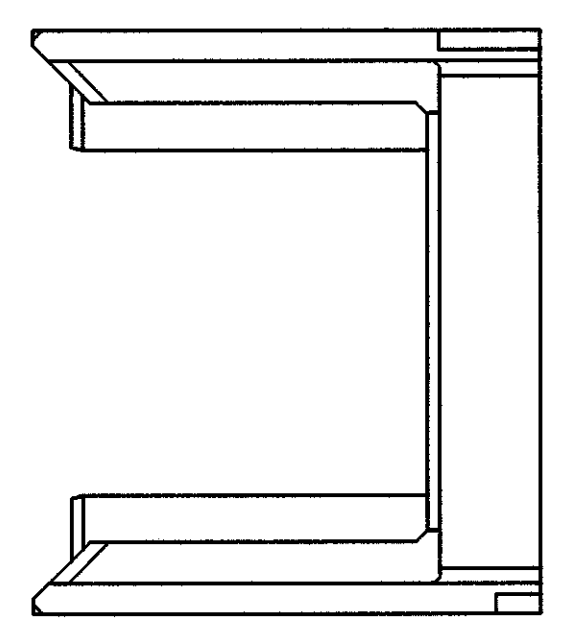
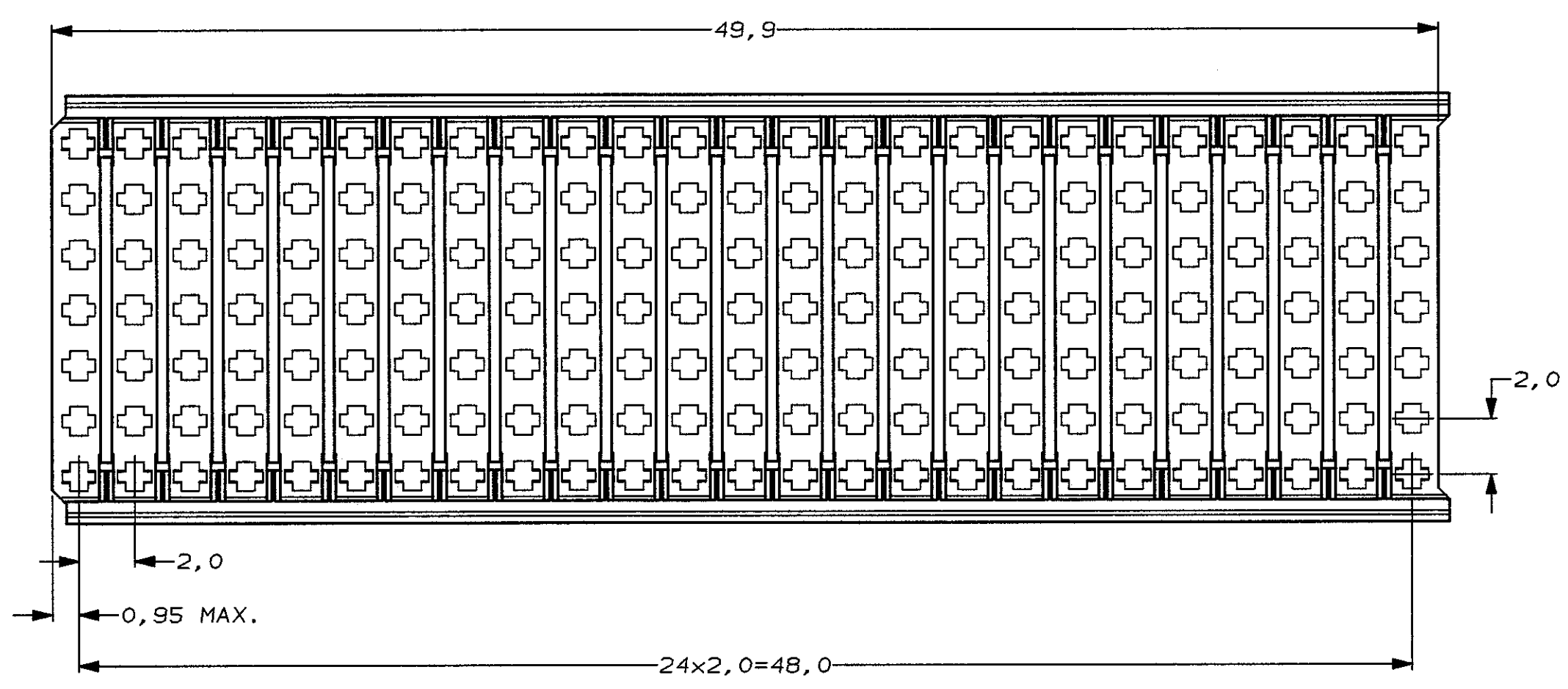
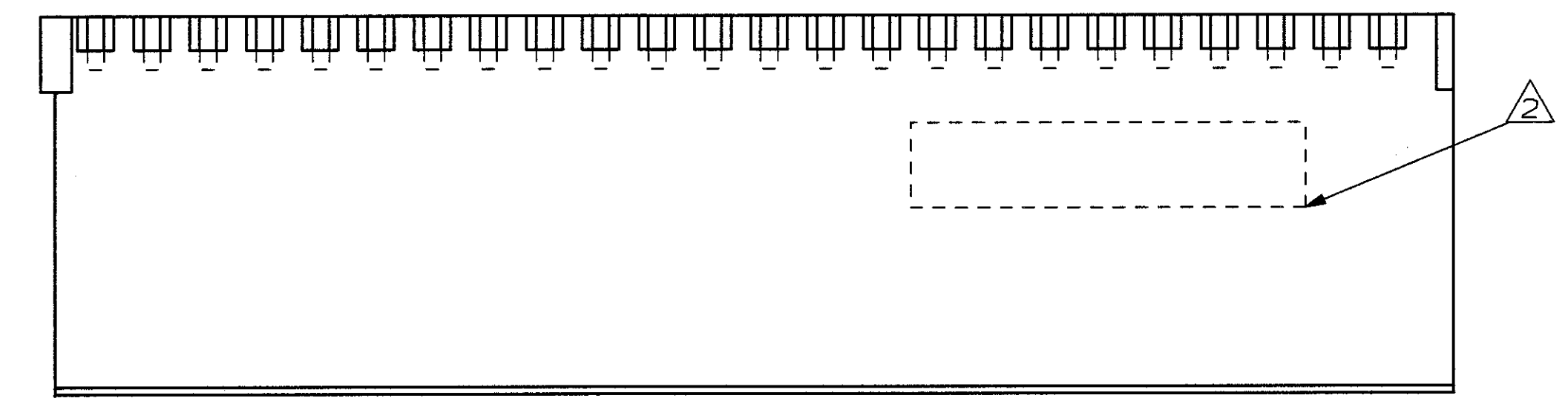
DO NOT SCALE  
DIMENSIONS IN mm

METRIC

THIRD ANGLE  
PROJECTION

NOTES:

- 1 MATERIAL HOUSING: GLASSFILLED POLYESTER.
- 2 HOUSING PRINTED WITH PARTNUMBER AND DATE CODE.



106138-2 AS SHOWN

		FINISH		MATERIAL		PARTNUMBER	
-	-	-	-	-	-	CUSTOMER DRAWING FOR REFERENCE ONLY WILL NOT BE UPDATED	
-	-	-	-	-	-	© COPYRIGHT 1996 BY AMP-HOLLAND B.V. ALL INTERNATIONAL RIGHTS RESERVED. AMP PRODUCTS MAY BE COVERED BY U.S. AND FOREIGN AND/OR PATENTS PENDING.	
-	-	-	-	-	-	THIS DRAWING IS UNPUBLISHED AND/OR PATENTS PENDING.	
C	EH-0764-96	DT	FvK	21-JUN-96		RELEASED FOR PUBLICATION	
B	EH-0374-93	LvdH	TS	8 JUNE '93		AMP HOLLAND B.V. s-Hertogenbosch, The Netherlands.	
A	EH-0081-93	S.M.	TS	04-02-93		AMP	
O	H-10165	JvL	TS	30-11-92		NAME	
LTR.	REVISION RECORD			DR.	CHK.	DATE	
DR.	D. TRUREN	CHK.	F. KONINGSBRUGGE	APP.	B. HOOIJ	DWG. No.	
DATE:	21-JUN-96	DATE:	21-JUN-96	DATE:	1-9-96	C-106138	
						REV. LTR.	SHEET
						C	1 OF 1
							A2